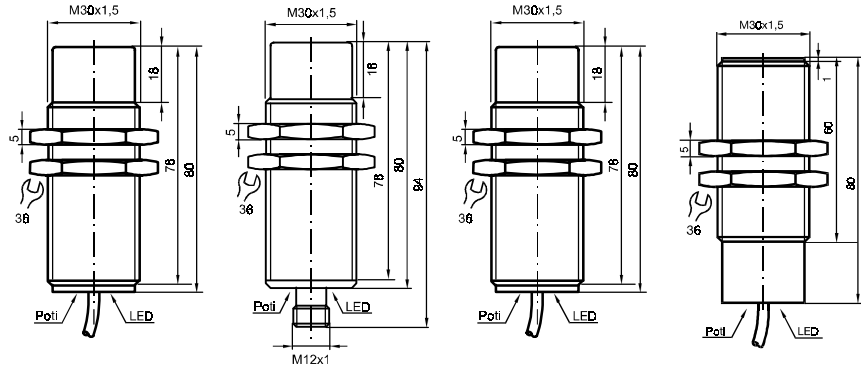


Cylindrical Type

AC; DC

2-/3-/4-wire

Standard series
10 mm adjustable



Operating dist. s_n , mounting	10 mm, embeddable	10 mm, embeddable	10 mm, embeddable	10 mm, embeddable
PNP Make function	CJ10-30GM-E2	CJ10-30GM-E2-V1		CJ10-30GK-E2
NPN Make function	CJ10-30GM-E			CJ10-30GK-E
PNP Antivalent	CJ10-30GM-A2	CJ10-30GM-A2-V1		
NPN Antivalent	CJ10-30GM-A			
AC Make function			CJ10-30GM-WS	
Break function			CJ10-30GM-WÖ	
Assured operat. dist. s_a [mm]	1 ...10	1 ...10	1 ...10	0 ...10
Operating voltage U_B [V]	10 ...60	10 ...60	20 ...253	10 ...60
Operational current I_L [mA]	0 ...200	0 ...200	5 ...200	0 ...200
Switching frequency [Hz]	10	10	10	1
No-load supply current [mA]	20	20	-	20
Off-state current I_R [mA]	0,5	0,5	1,5	-
Short time C. 20ms,0,1Hz [mA]	-	-	1200	-
Voltage drop [V]	2,8	2,8	-	3
Short circuit protection	pulsing	pulsing	no	pulsing
Reverse polarity protection	yes	yes	tolerant	yes
Output indicator	LED, yellow	LED, yellow	LED, yellow	LED, yellow
Operating temperature [°C]	-25 ...70	-25 ...70	-25 ...70	-25 ...70
EMC to	EN 60947-5-2	EN 60947-5-2	EN 60947-5-2	EN 60947-5-2
Protection to IEC 60529	IP 67	IP 67	IP 67	IP 65
Connection	2 m, PVC-cable	V1- connector	2 m, PVC-cable	2 m, PVC-cable
Conductor cross section	0,75 mm ²	-	0,75 mm ²	0,75 mm ²
Housing material	High grade steel	High grade steel	High grade steel	PBT
Sensing face	PBT	PBT	PBT	PBT

Standard symbol / connection:

